

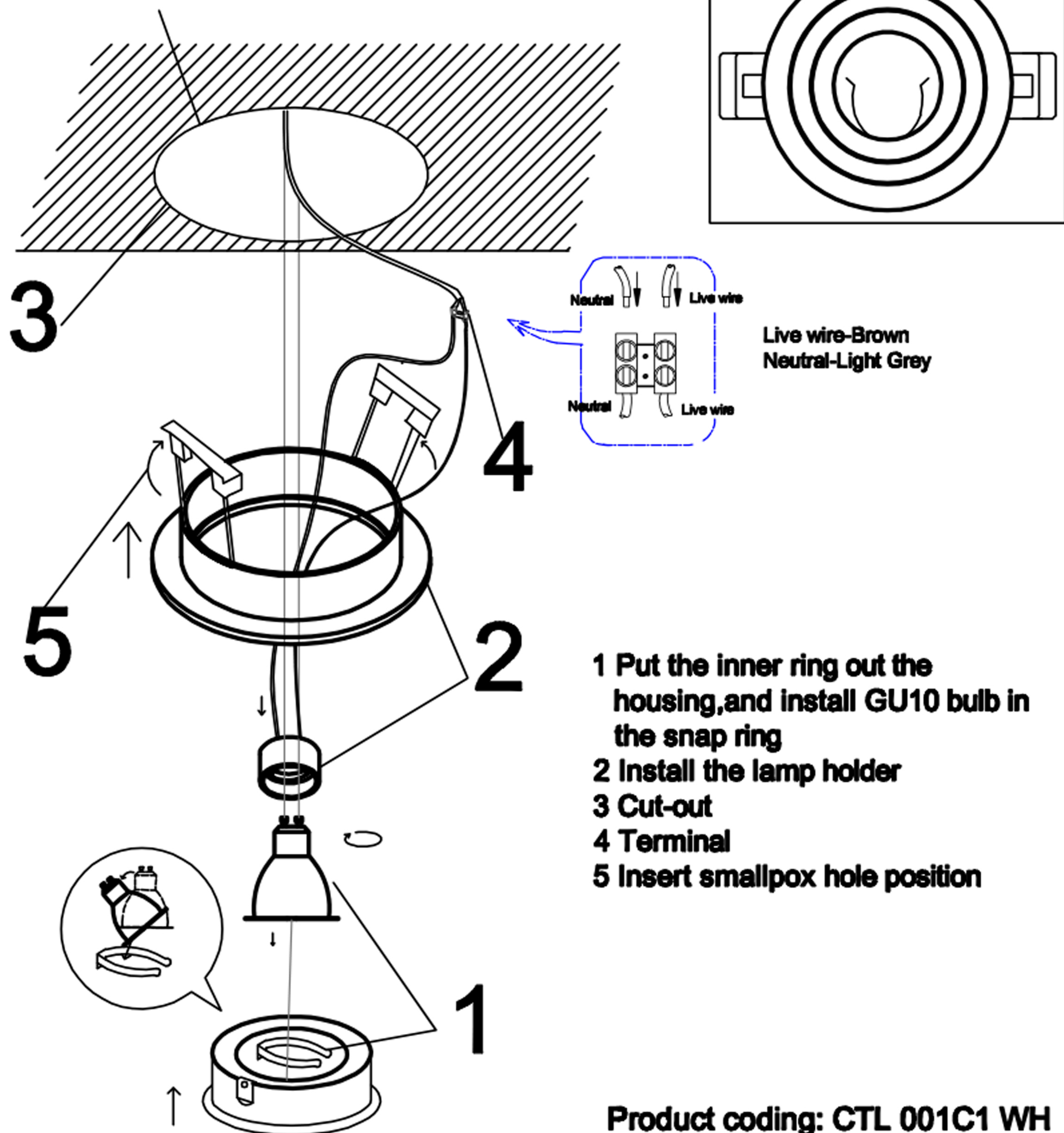
# ENGLISH

## Specification of installation

In order to ensure safety use, please notice the following items:

- Read and understand the whole Specification.
- Suitable for the use of 220~240V and 50~60Hz.
- Please wear gloves as installment and avoid rot on the surface of plating.
- Must be installed on the fixed please and be checked annually.
- Please turn off the lighting source by soft cloth as cleaning prohibited to use of rotted detergent.
- Please connect with the local sales service center when there and any abnormality.

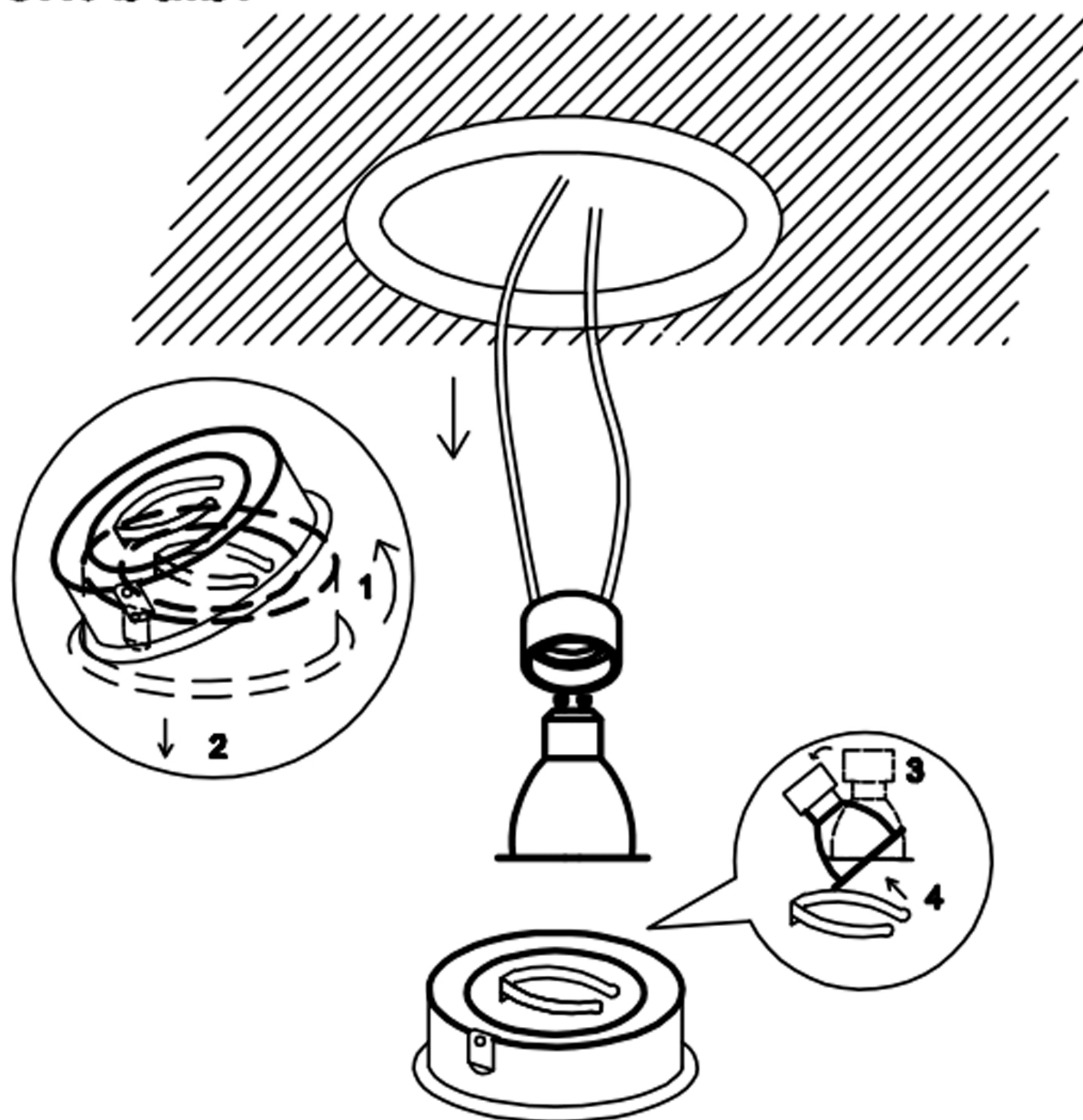
Cut out size: D80mm



- 1 Put the inner ring out the housing, and install GU10 bulb in the snap ring
- 2 Install the lamp holder
- 3 Cut-out
- 4 Terminal
- 5 Insert small hole position

Product coding: CTL 001C1 WH  
CTL 001C1 BL

## Replacement bulb:



## FIXTURE SIZE:

