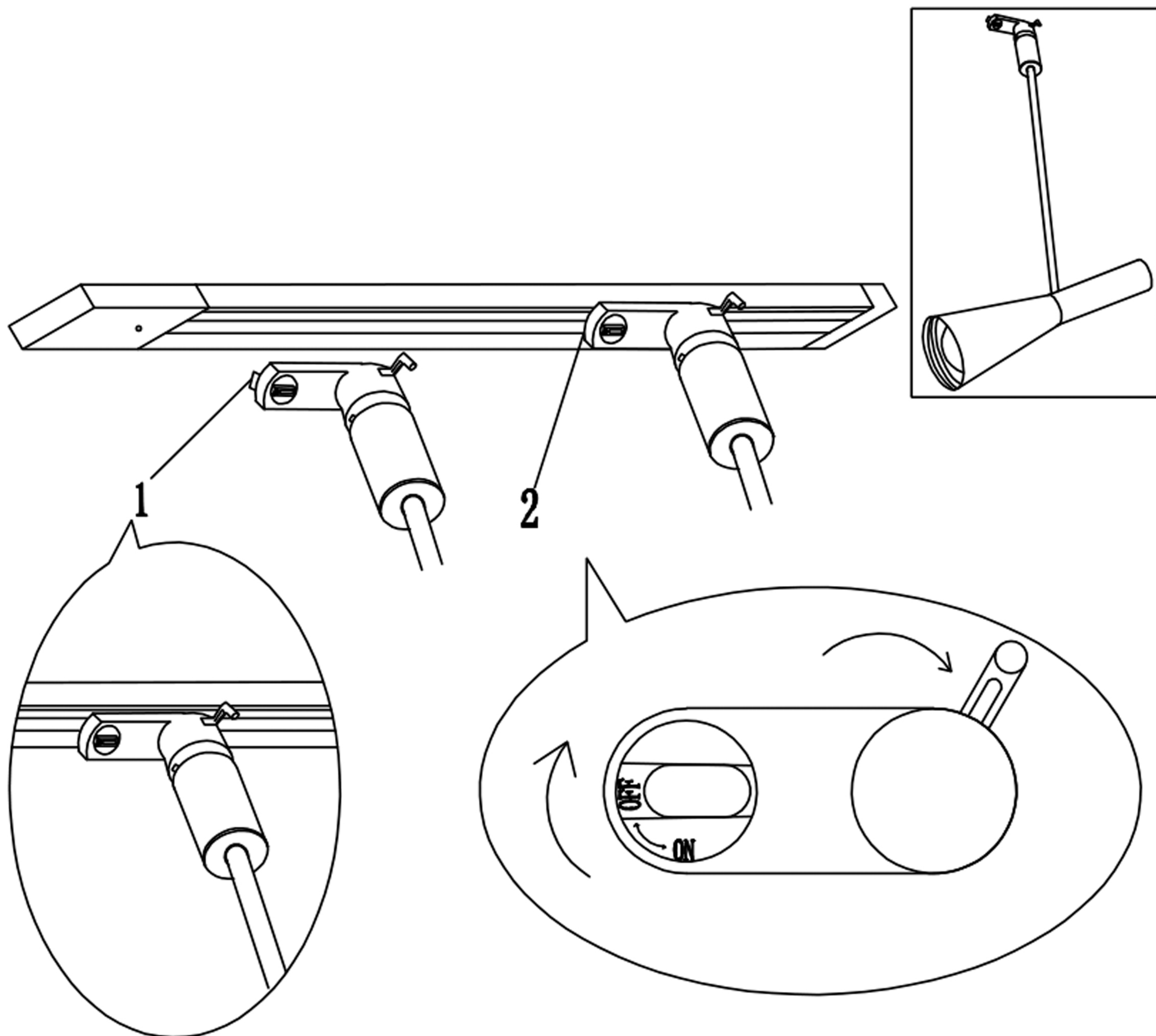


ENGLISH

Specification of installation

In order to ensure safety use, please notice the following items:

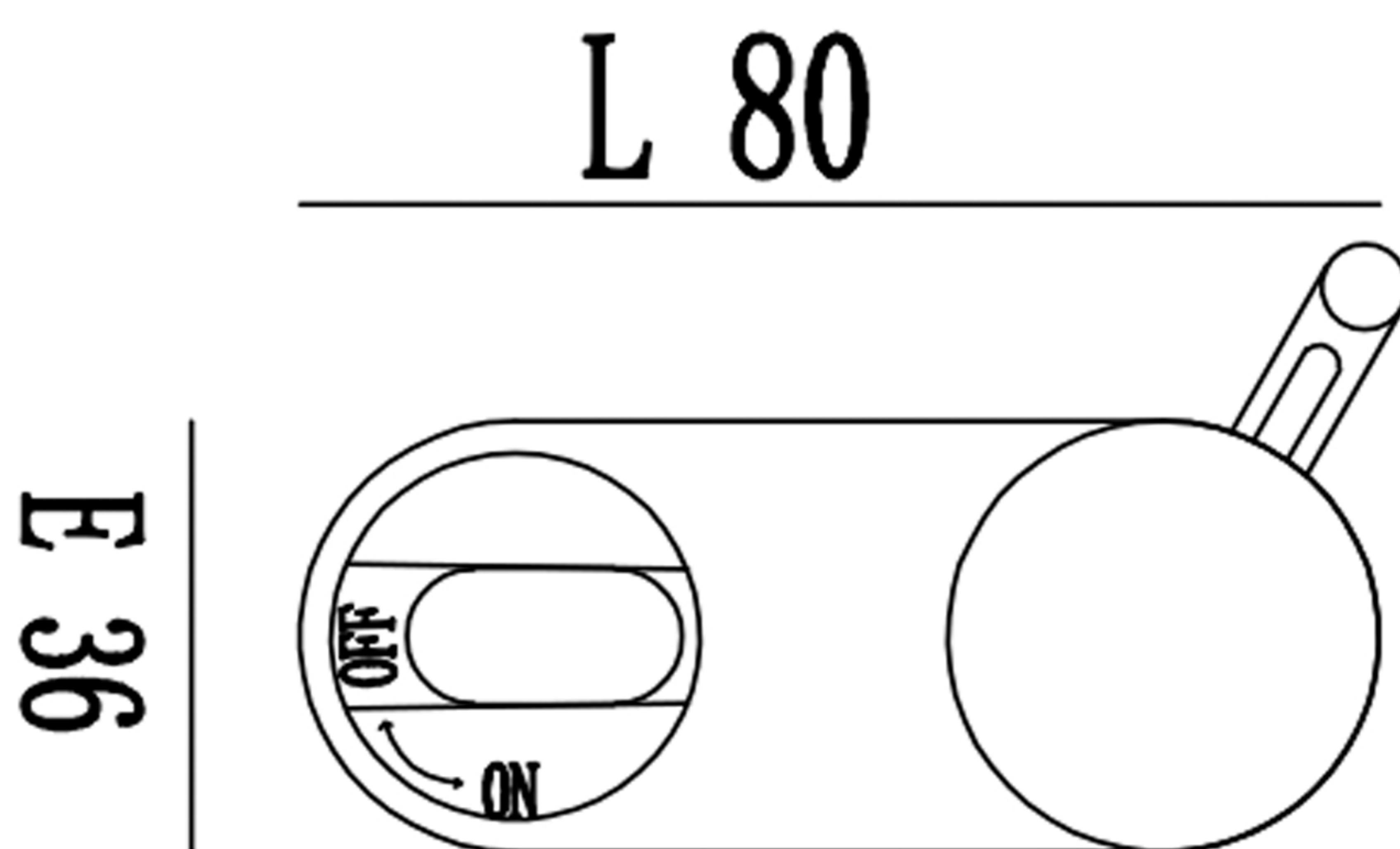
- Read and understand the whole Specification.
- Suitable for the use of 220~240V and 50~60Hz.
- Please wear gloves as installment and avoid rot on the surface of plating.
- Must be installed on the fixed please and be checked annually.
- Please turn off the lighting source by soft cloth as cleaning prohibited to use of rotted detergent.
- Please connect with the local sales service center when there and any abnormality.



- 1 Put the lamp in the track
- 2 Open the track head switch

Product coding: CLT 0.31 002 WH
CLT 0.31 002 BL

TRACK HEAD SIZE:



FIXTURE SIZE:

