

ENGLISH

Specification of installation

In order to ensure safety use, please notice the following items:

Read and understand the whole Specification.

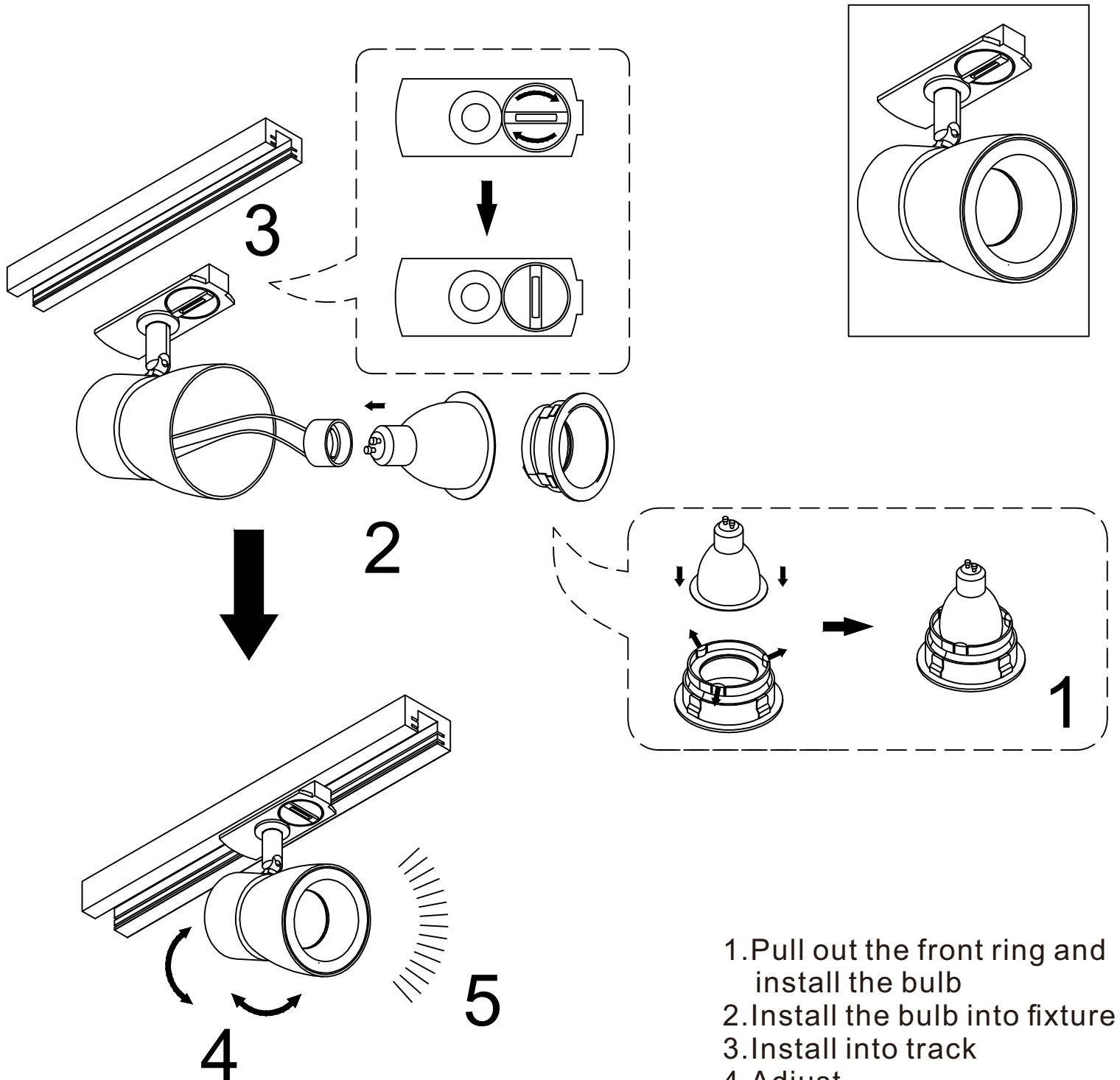
Suitable for the use of 220~240V and 50~60Hz.

Please wear gloves as installment and avoid rot on the surface of plating.

Must be installed on the fixed please and be checked annually.

Please turn off the lighting source by soft cloth as cleaning prohibited to use of rotted detergent.

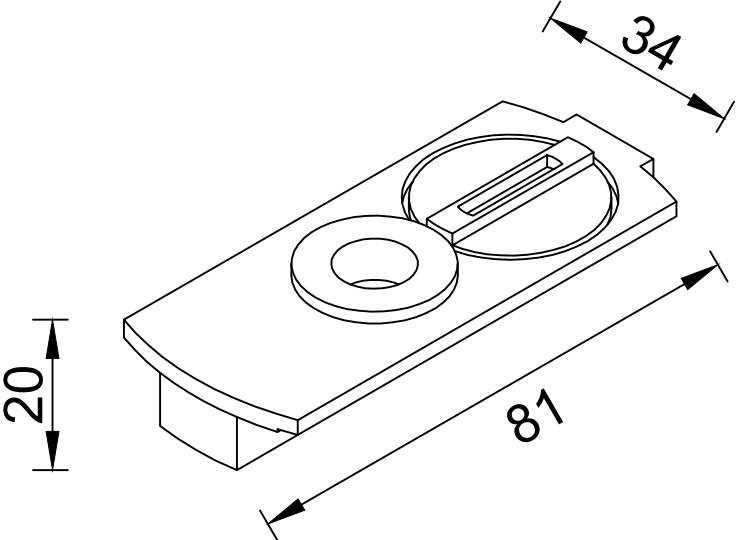
Please connect with the local sales service center when there and any abnormality.



- 1.Pull out the front ring and install the bulb
- 2.Install the bulb into fixture
- 3.Install into track
- 4.Adjust
- 5.Light ON

Product coding: CLT 0.31 009 BL-CH
CLT 0.31 009 BL-GO
CLT 0.31 009 WH-CH
CLT 0.31 009 WH-GO

CEILING PAN SIZE:



FIXTURE SIZE:

