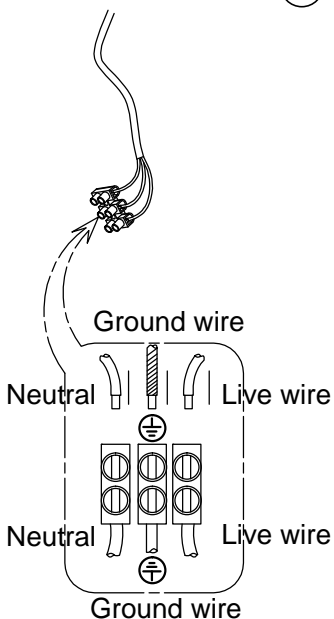
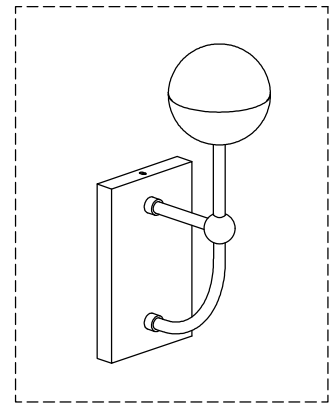
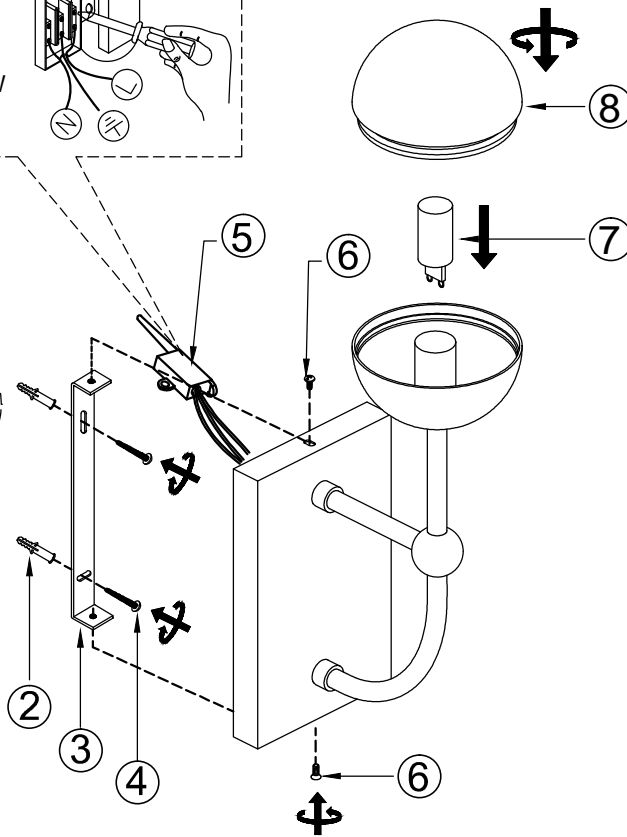
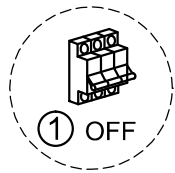
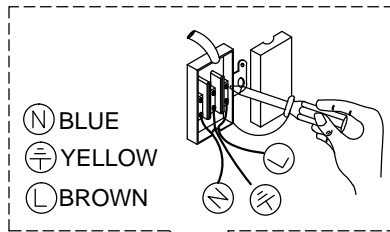


ENGLISH

Specification of installation

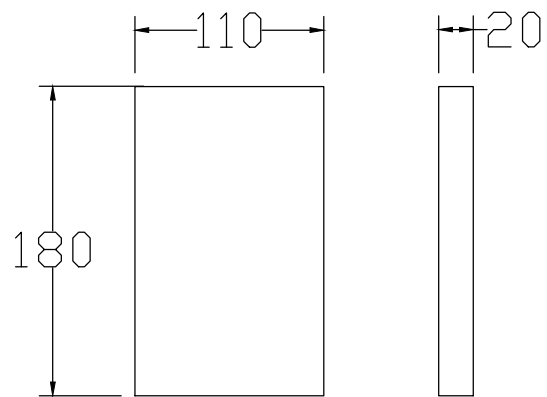
- In order to ensure safety use, please notice the following items:
- Read and understand the whole Specification.
- Suitable for the use of 220-240V and 50 ~ 60Hz.
- Please wear gloves as installment and avoid rot on the surface of plating.
- Must be installed on the fixed places and be checked annually.
- Please turn off the lighting source by soft cloth as cleaning prohibited to use of rotted detergent.
- Please connect with the local sales service center when there are any abnormality.



1. AC switch
2. Wall anchor
3. Hanging board
4. Self-tapping screw
5. Junction box
6. Screw
7. G9 Bulb (Not include)
8. Hemispherical glass

Product coding: TRUENA AP1

WALL OF THE BOX SIZE:



FIXTURE SIZE:

