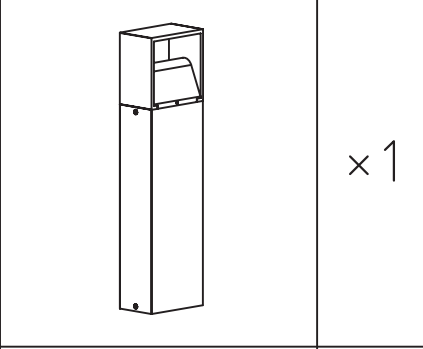


951113 95114 95115 95116

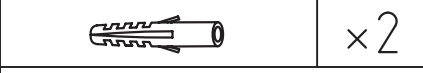
Parts Supplied



× 1



× 2



× 2

