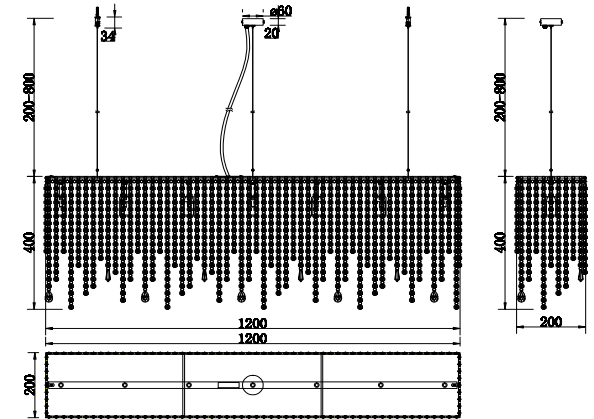
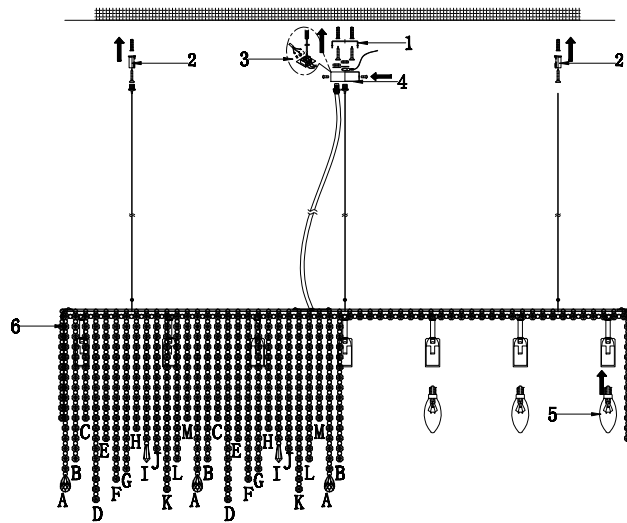


Instruction

DIA002PL-07CH



7 x E14 (60W)

Model: DIA002PL-07CH
Collection: Diamant Crystal
Series: Empress



Ceiling Lamps