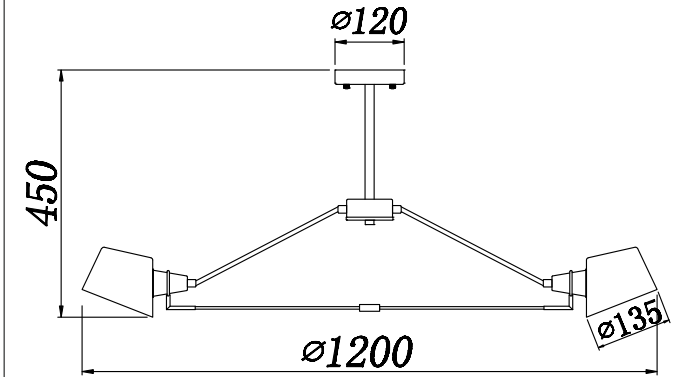
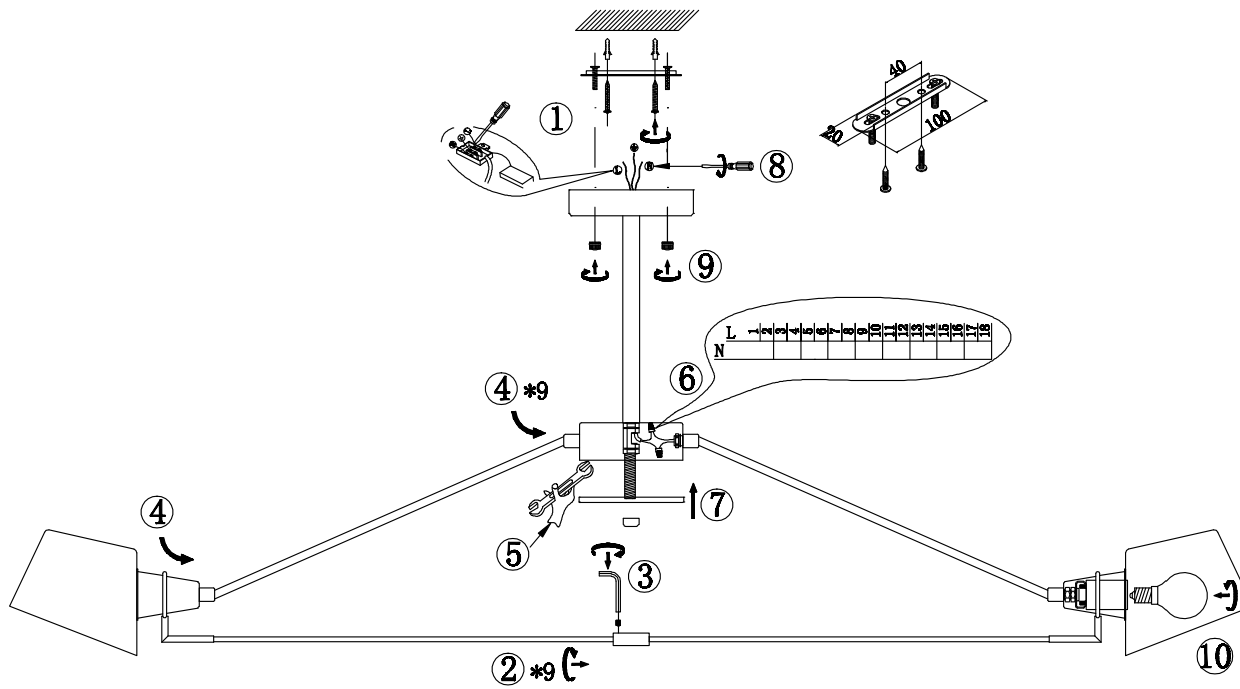




**FREYA**  
TRADITION OF QUALITY

# INSTRUCTION

MODEL: FR5038-CL-09-W



9 x E14 (40W)

FREYA-LIGHT.COM